

TSL System Kit for Reactor[®] 3 Proportioners

3A9213B

EN

TSL system kit for use with Reactor 3 Proportioners. For professional use only.

Model: 18E273



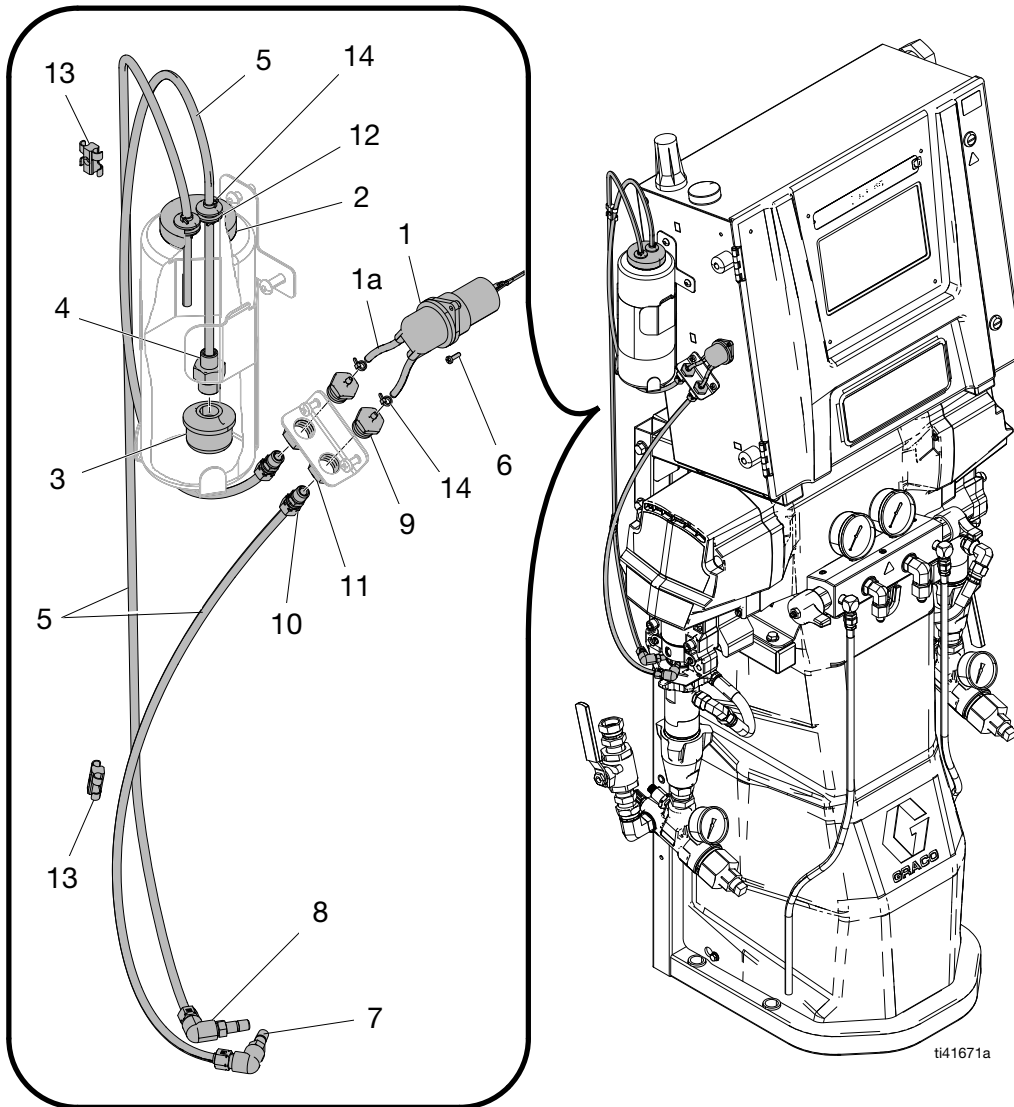
Important Safety Instructions

Read all warnings and instructions in this manual and in related manuals before using the equipment. Save all instructions.

Related Manuals

Manuals in English	Description
3A8500	Reactor 3 Proportioner - Operation
3A8501	Reactor 3 Proportioner - Repair and Parts
3A8505	Reactor 3 Startup Quick Guide
3A8506	Reactor 3 Shutdown Quick Guide

TSL System Kit



Ref.	Part	Description	Qty.
1*	18B274	PUMP, peristaltic, 24V, 3mm ID	1
1a	18D008	TUBE, repair kit, R3 TSL pump	1
2	18C779	CAP, bottle, TSL	1
3	133416	STRAINER, suction, 1/4 npt	1
4	16E254	FITTING, connector, male, straight	1
5	18E274	KIT, R3, TSL tubing, 7.5 ft	1
6*	107388	SCREW, mach, pnh	2
7	18D006	FITTING, 1/8 in. npt, 1/16 in. npt	2
8	25B521	FITTING, compression, adapter, 90, 1/4 in.	2
9	18C769	FITTING, BARN to 1/8 nptf	2

Ref.	Part	Description	Qty.
10	127553	FITTING, straight, 1/4 x 1/8 npt	2
11	100155	NUT, hex jam, 5/8 in.	2
12	112738	GROMMET	2
13	25B524	CLIP, T-clip, snap-in	2
14*	102478	STRAP, tie, wiring	6

*Included in 18E137 TSL Pump Repair Kit.

Additional Kits:

18E265 - KIT, R3, TSL, bottle bracket
 18E276 - KIT, R3, bracket, TSL fittings

All written and visual data contained in this document reflects the latest product information available at the time of publication. Graco reserves the right to make changes at any time without notice.

Original instructions. This manual contains English. MM 3A9213

Graco Headquarters: Minneapolis

International Offices: Belgium, China, Japan, Korea

GRACO INC. AND SUBSIDIARIES • P.O. BOX 1441 • MINNEAPOLIS MN 55440-1441 • USA
Copyright 2022, Graco Inc. All Graco manufacturing locations are registered to ISO 9001.